

**General**

Provide MYSON B27-1 EUROPEAN TRADITION hydronic towel warmer including accessories as scheduled. European Tradition towel warmers are made of 1-1/4" brass tube and fittings in a variety of finishes. **The B27-1 hydronic towel warmer is approved for installation on closed loop hydronic hot water systems only.**

Each B27-1 towel warmer is constructed with integral 3-1/4" diameter wall and floor mounting flanges that are welded onto the back and bottom. The towel warmers are equipped with a manual air vent. Every unit is factory filled, tested and inspected to insure the finest quality product.

Available Finishes:

Polished Chrome, Polished Nickel, Satin Nickel, Regal Brass, Oil-Rubbed Bronze, White

Standard Connections:

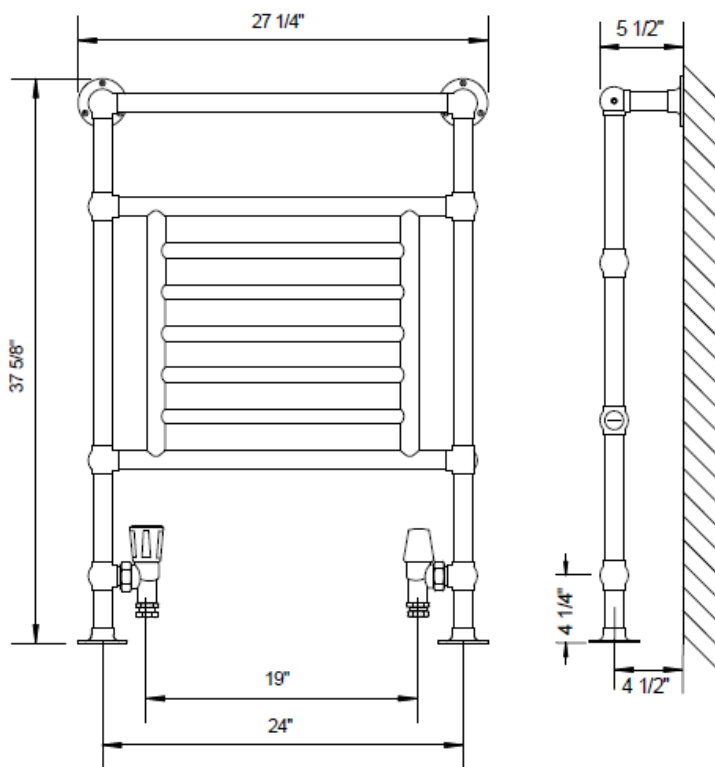
2 x internal thread G 1/2" BSP

Maximum positive operating pressure: 77psi

Maximum operating temperature: 230° F

Heat Output: 1080 BTUH @ 155° F  
Entering Water Temperature

Weight  
23 lbs.



**NOTE:** Valve rough-in centers may vary from 18 1/2" - 19" depending on valve spud insertion depth.



**Standard Valve Set - STDVKIT** The set includes one (1) FF16WAC adjustable and (1) FF16LAC non-adjustable 1/2" valve. Available only with chrome angle body and white handles



**Modern Valve Set - V16A "Angle" or V16S "Straight"** pattern. Straight valves are normally used when the pipes come from the floor instead of the wall. Available in matching finishes.



**Cross Handle Valve Set - CHV16** The set includes two (2) Cross Handle valves. The Cross Handle valves are only available in an angle pattern and are available in matching finishes.



**Sleeve Kit - SK16** The set includes two (2) .656" I.D. x 3" brass sleeves and two (2) 2" diameter brass escutcheons. Available in matching finishes.

Optional valves and sleeve kits are recommended and available from MYSON.



**Warranty**  
MYSON European Tradition Towel Warmers are covered by a 10 year warranty.

**Quality certificates**



PROJECT NAME:  
ARCHITECT:  
ENGINEER:  
SUBMITTED DATE:

APPROVED DATE:

